

## 1-2

외기 온도 감지기  
GOT Series

#### ◀ 적용 | Application

"GOT" Outside Air temperature sensor is intended for sensing outside air temperature and it also can sense radiant heat and low-high temperature of atmosphere. Units contain either a high quality platinum or thermistor (NTC) sensing element suitable for use in the range  $-35 \sim +80^{\circ}\text{C}$ .

#### ◀ 기술 사양 | Technical Data

모델	검출 소자	온도 범위	정밀도	결선	적용
(RTD.. 소자)					
GOT-100	Pt100 $\Omega$	$-35 \sim 80^{\circ}\text{C}$	$\pm 0.3^{\circ}\text{C}$ (at $0^{\circ}\text{C}$ )	3wire / 1.0mm <sup>2</sup>	
GOT-1000	Pt1000 $\Omega$	$-35 \sim 80^{\circ}\text{C}$	$\pm 0.3^{\circ}\text{C}$ (at $0^{\circ}\text{C}$ )	3wire / 1.0mm <sup>2</sup>	
(Thermistor.. NTC 소자)					
GOT-N10K-AN	NTC10000 $\Omega$	$-35 \sim 80^{\circ}\text{C}$	$\pm 0.2^{\circ}\text{C}$ (at $25^{\circ}\text{C}$ )	2wire / 1.0mm <sup>2</sup>	ACI/AN, ANDOVER, BA/10K-3 PRECON-3 (Model.3)
GOT-N10K-CP	NTC10000 $\Omega$	$-35 \sim 80^{\circ}\text{C}$	$\pm 0.2^{\circ}\text{C}$ (at $25^{\circ}\text{C}$ )	2wire / 1.0mm <sup>2</sup>	ACI/CP, BA/10K-2 PRECON-2 (Model.24)
GOT-N5K	NTC5000 $\Omega$	$-35 \sim 80^{\circ}\text{C}$	$\pm 0.3^{\circ}\text{C}$ (at $25^{\circ}\text{C}$ )	2wire / 1.0mm <sup>2</sup>	
GOT-N3K	NTC3000 $\Omega$	$-35 \sim 80^{\circ}\text{C}$	$\pm 0.25^{\circ}\text{C}$ (at $25^{\circ}\text{C}$ )	2wire / 1.0mm <sup>2</sup>	ACI/3K PRECON-2 (Model.22)

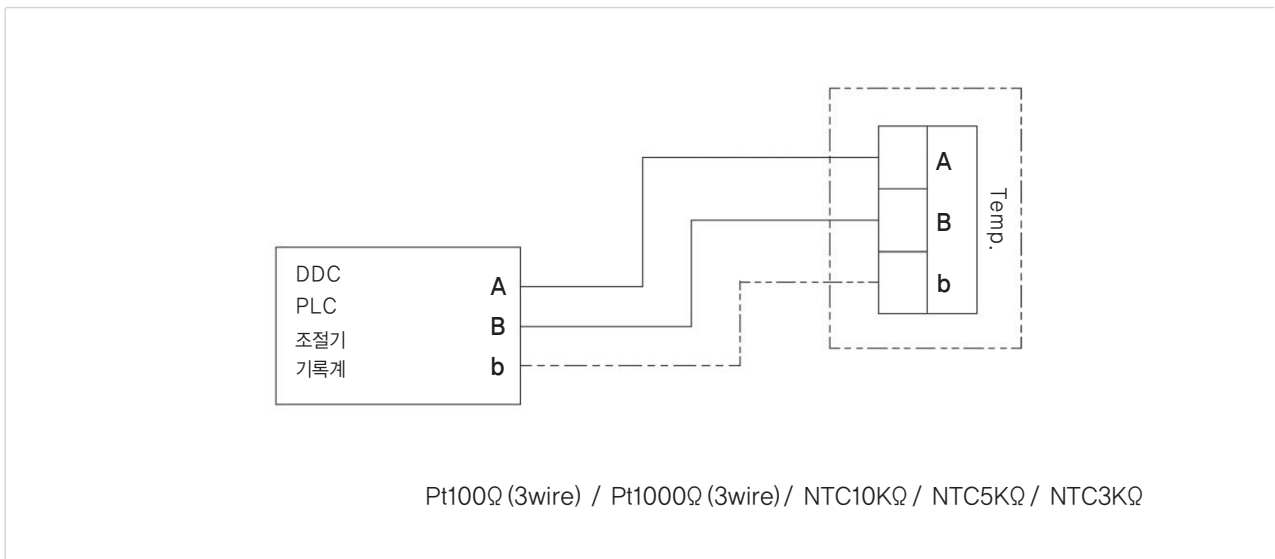
#### ◀ 기술 사양 | Technical Data

- 검출 소요 시간 : About 5min at 0.15m/sec Velocity
- 주위 온도 :  $-35 \sim +80^{\circ}\text{C}$
- 주위 습도 : 5 ~ 100%RH
- 적용 : DDC System and controller
- 온도 변화 : Table of Reference Values
- 보호 등급 : IP30
- 하우징 재질 : ABS (flame retardation)
- 무게 : 0.06Kg

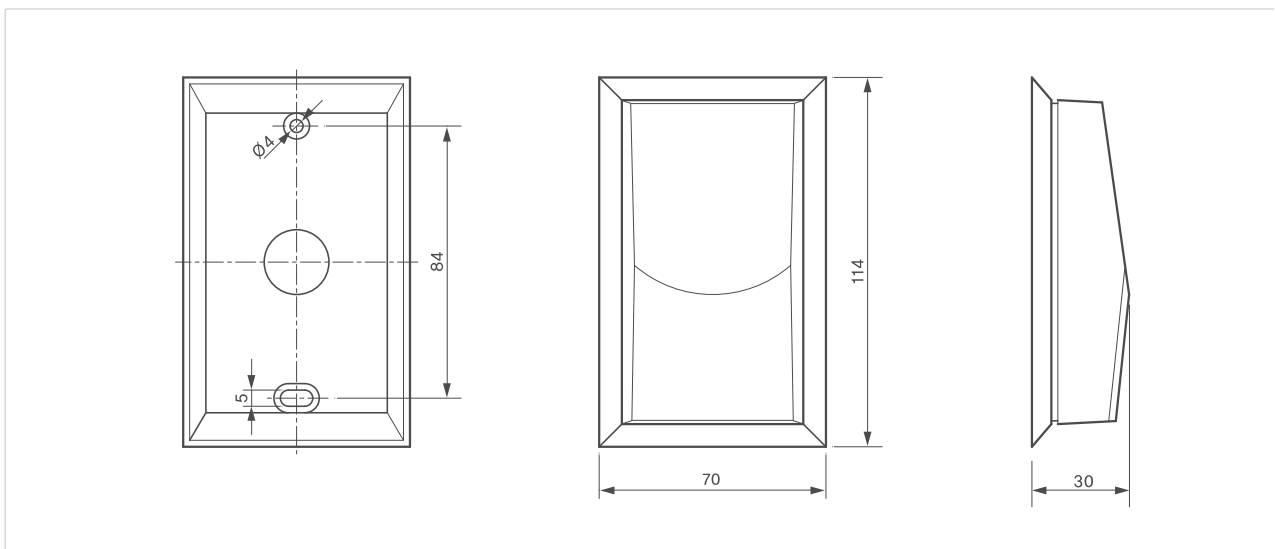
◀◀ 주의 사항 | Notes |

- Select a location approx. 1.5M above the floor for the sensor which is representative of the space to be controlled and where it will be readily affected by change in the general space temperature & humidity level
- The sensor location should also be reasonably clean and free from damp and condensation and must be installed at the coldest place as north wall generally and prevent from direct sun light.  
The element must not be touched and should be protected from dust, water, spray, condensation.
  - Prohibited place for installation : Window, Door, Air ventilation hole, Upper place of heat source, veranda or eaves of roof.
  - To protect any errors from warm air convection, cable wire should be shielded and sensor must not be painted.
  - The sensor element must not be exposed to organic solvents, liquids or sylphid bearing materials. Do not use a DC test meter as this will damage the sensor element.
  - Fix with the bolts provided in pull box (50×100)
  - To avoid the conductive current the wires should be separated from power Line.
  - Use the shield Line when wiring.

◀◀ 결선 방법 | Wiring Diagram |



◀◀ 외형치수 | Shape Dimension |



저항 변화표 | Thermistor NTC Curve Table

온 도		NTC/10K-AN	NTC/10K-CP	NTC/5K	NTC/3K
Temp	Temp	Resistance	Resistance	Resistance	Resistance
℃	℉	ohms	ohms	ohms	ohms
-40	-40	239,831	335,671	88,910	100,701
-35	-31	179,280	242,195	68,190	72,658
-30	-22	135,233	176,683	52,870	53,005
-25	-13	102,890	130,243	41,210	39,073
-20	-4	78,930	96,974	32,440	29,092
-15	5	61,030	72,895	25,660	21,868
-10	14	47,549	55,298	20,480	16,589
-5	23	37,316	42,314.6	16,430	12,694.4
0	32	29,490	32,650.8	13,290	9,795.2
5	41	23,462	25,395.5	10,800	7,618.7
10	50	18,787	19,903.5	8,840	5,971.1
15	59	15,136	15,714.0	7,267	4,714.2
20	68	12,268	12,493.7	6,013	3,748.1
25	77	10,000	10,000	5,000	3,000
30	86	8,197	8,056.0	4,179	2,416.8
35	95	6,754	6,530.1	3,508	1,959.0
40	104	5,594	5,324.9	2,961	1,597.5
45	113	4,656	4,366.9	2,509	1,310.1
50	122	3,893	3,601.0	2,137	1,080.3
55	131	3,271	2,985.1	1,826	895.52
60	140	2,760	2,487.1	1,567	746.12
65	149	2,339	2,082.3	1,350	624.69
70	158	1,990	1,751.6	1,169	525.49
75	167	1,700	1,480.1	1,014	444.04
80	176	1,458	1,256.2	883.5	376.85
85	185	1,255	1,070.6	772.2	321.17
90	194	1,084	916.11	677.1	274.83
95	203	939.6	786.99	596.1	236.10
100	212	817.2	678.63	526.5	203.59
105	221	713.0	587.31	465.4	176.19
110	230	624.1	510.06	412.8	153.02
115	239	547.9	444.48	-	133.34
120	248	482.5	388.59	-	116.578
125	257	426.0	340.82	-	102.246
130	266	377.2	299.82	-	89.946
135	275	334.9	264.54	-	79.363
140	284	298.1	234.08	-	70.225
145	293	266.0	207.70	-	62.309
150	302	238.0	184.79	-	55.436