



(Quarter turn)

# ELECTRIC ACTUATOR

## GQ - 001, 002, 004

High Speed Operating Time (3-7 sec)  
Simple Position Indicator  
Smart & Compact Design  
With Manual Lever  
Weatherproof (IP67)  
3-Wire Type

## DESCRIPTION

Electric actuator is specially designed for small size quarter turn valve operation such as Ball valves / Small dampers and similar usages.

## FEATURES

- Free-Voltage : (95~245VAC / 1 PH)  
(24VAC/DC) (12VAC/DC)
- Weather proof (IP67)
- Manual lever
- Mounting base : Standard ISO5211 (F03/F04/F05)

## CONSTRUCTION

### Actuator Appearance ( INSIDE )



## ORDERING SPECIFICATION

**GQ - X X X - X X X X**

001 : 1.5kg.m  
002 : 2kg.m  
004 : 4kg.m

1 : 11x11  
2 : 14x14

1 : ON-OFF (3-Wire)  
2 : ON-OFF (4-Wire)

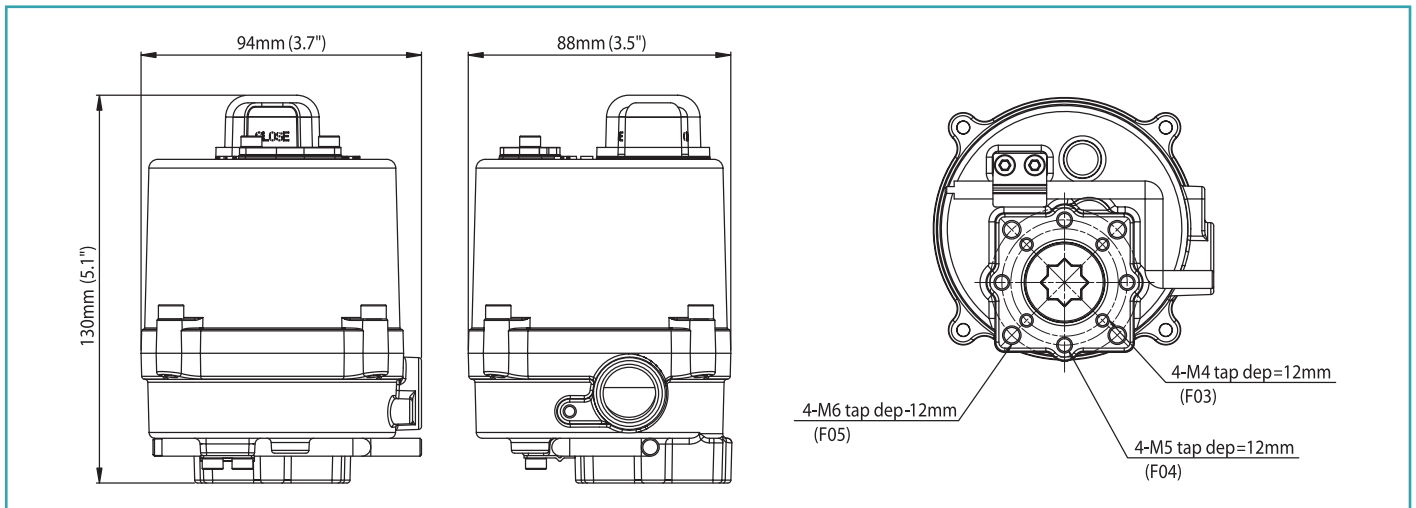
1 : 110V~220V AC / 1PH  
2 : AC/DC 24V  
3 : AC/DC 12V

1 : IP 67

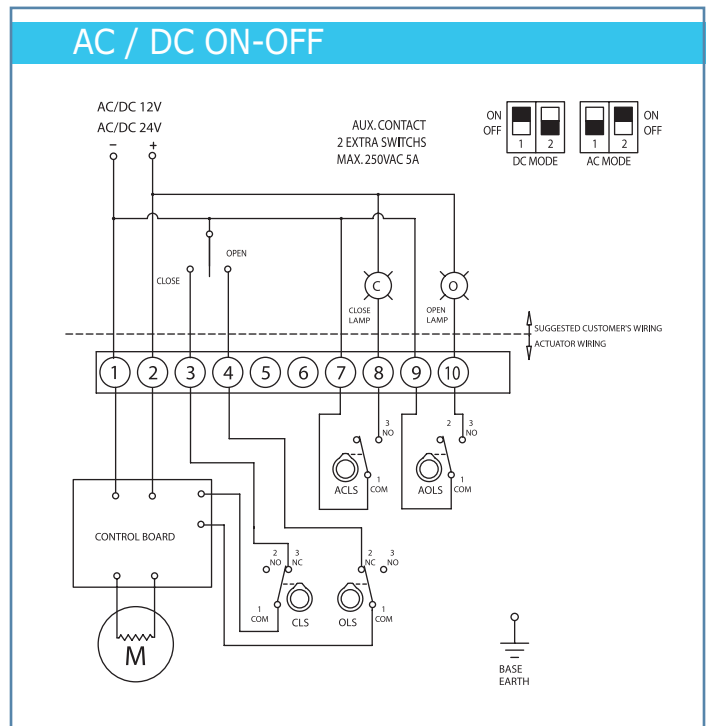
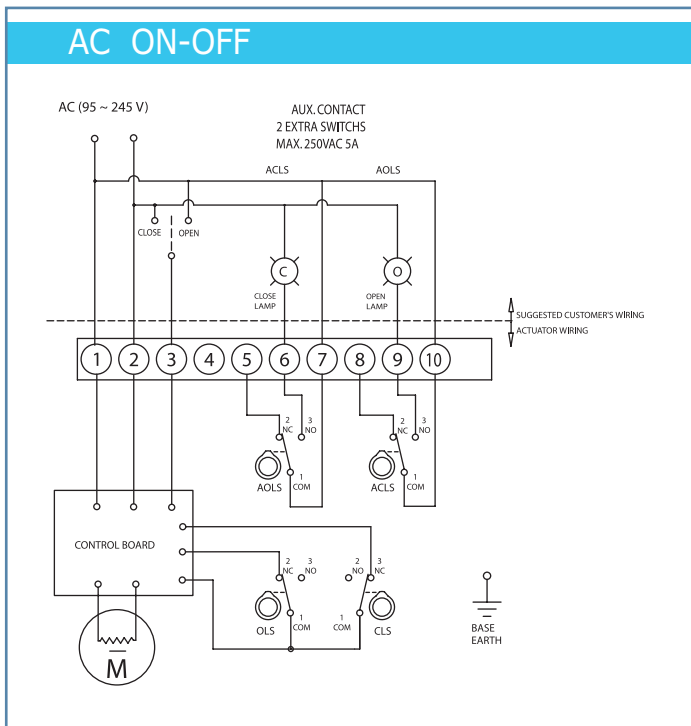
# PERFORMANCE

Model	Output Torque		Operating Time 60/50Hz 90°	Supplying power (60 / 50Hz, 1 phase)	Duty Cycle IEC 34-1	Electric Motor Stop	Mounting (ISO 5211)	Lower Part Bore (mm)	Weight
	Kg.m	N.m							
GQ - 001	1.5	15	3 sec	V1=95V ~245VAC (Free)	S2 70%	2A	F03, F04, F05	11 x 11	1.2Kg
GQ - 002	2	20	4 sec	V2=24V AC/DC	S2 70%	2A	F03, F04, F05	14 x 14	1.2Kg
GQ - 004	4	40	7 sec	V3=12V AC/DC	S2 70%	2A	F03, F04, F05	14 x 14	1.2Kg

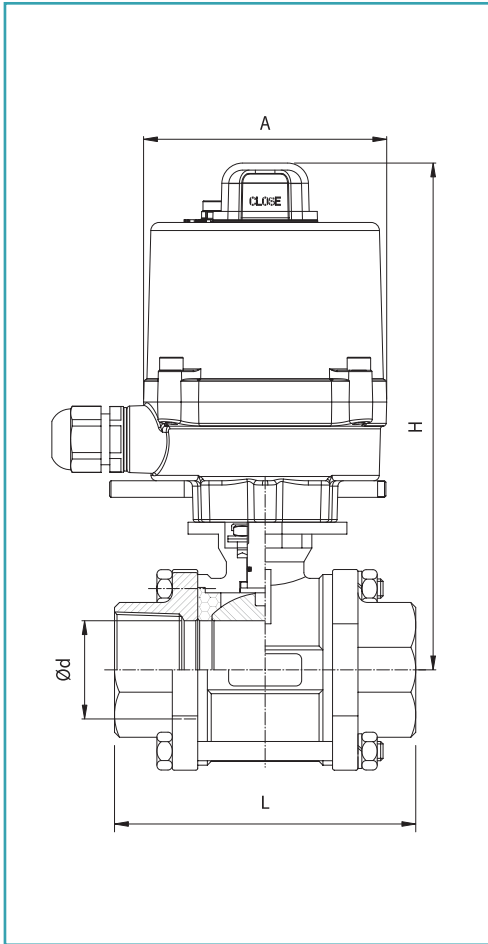
# DIMENSION



# CONNECTION WIRING (3-WIRE)



# ELECTRIC BALL VALVE (2-WAY) : (3-PIECE)



Dimensions (3-Piece)

(Unit : mm)

SIZE		Ød	L	H	A	Body/Actuator	Stem (mm)	ISO5211 (PCD)	WT (Kg)	TORQUE
Inch	mm									N.m
1/4"	8A	11.6	63.5	166.9	94	DV23-08 / GQ-004	9	F03, 05	2.4	4
3/8"	10A	12.8	63.5	166.9	94	DV23-10 / GQ-004	9	F03, 05	2.4	4
1/2"	15A	15	63.5	166.9	94	DV23-15 / GQ-004	9	F03, 05	2.3	4
3/4"	20A	20	72.5	175	94	DV23-20 / GQ-004	9	F03, 05	2.5	6
1"	25A	25	81	183.4	94	DV23-25 / GQ-004	9	F03, 05	3.5	9.8
1-1/4"	32A	32	94.5	188.9	94	DV23-32 / GQ-004	11	F03, 05	4.0	16.4
1-1/2"	40A	38	108	204.7	94	DV23-40 / GQ-004	11	F05, 07	4.6	18.3
2"	50A	50	121.5	213.5	94	DV23-50 / GQ-004	14	F05, 07	6.5	25.8

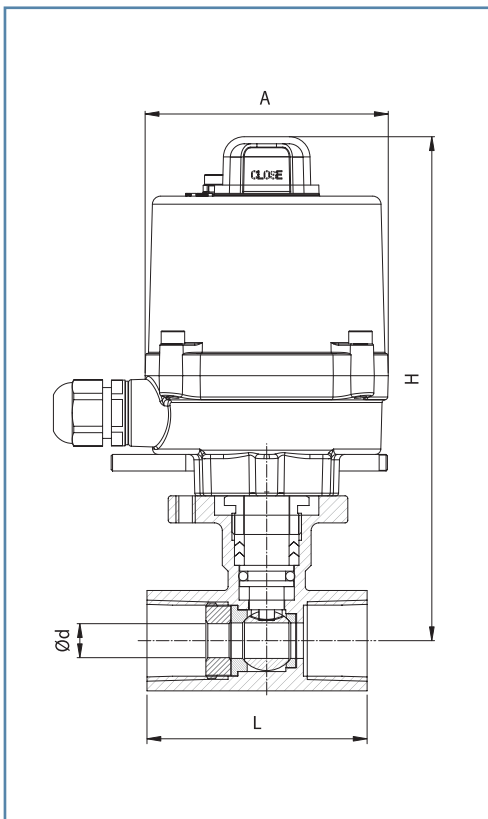
\* 3-PIECE BODY - Max. Pressure : 70kg/cm<sup>2</sup> , Max. Temperature : 160°C, Material : A351-CF8M, Seat : PTFE

SIZE		Ød	L	H	A	Body/Actuator	Stem (mm)	ISO5211 (PCD)	WT (Kg)	TORQUE
Inch	mm									N.m
1/4"	8A	11.6	63.5	166.9	94	DV23-08 / GQ-002	9	F03, 05	2.4	4
3/8"	10A	12.8	63.5	166.9	94	DV23-10 / GQ-002	9	F03, 05	2.4	4
1/2"	15A	15	63.5	166.9	94	DV23-15 / GQ-002	9	F03, 05	2.3	4
3/4"	20A	20	72.5	175	94	DV23-20 / GQ-002	9	F03, 05	2.5	6
1"	25A	25	81	183.4	94	DV23-25 / GQ-002	9	F03, 05	3.5	9.8
1-1/4"	32A	32	94.5	188.9	94	DV23-32 / GQ-002	11	F03, 05	4.0	16.4

SIZE		Ød	L	H	A	Body/Actuator	Stem (mm)	ISO5211 (PCD)	WT (Kg)	TORQUE
Inch	mm									N.m
1/4"	8A	11.6	63.5	166.9	94	DV23-08 / GQ-001	9	F03, 05	2.4	4
3/8"	10A	12.8	63.5	166.9	94	DV23-10 / GQ-001	9	F03, 05	2.4	4
1/2"	15A	15	63.5	166.9	94	DV23-15 / GQ-001	9	F03, 05	2.3	4
3/4"	20A	20	72.5	175	94	DV23-20 / GQ-001	9	F03, 05	2.5	6
1"	25A	25	81	183.4	94	DV23-25 / GQ-001	9	F03, 05	3.5	9.8

\* Model : DV23 (2 : 2-Way Ball Valve, 3 : 3-Piece)

# ELECTRIC BALL VALVE (2-WAY) : (1-PIECE)



Dimensions (1-Piece)

(Unit : mm)

SIZE		Ød	L	H	A	Body/Actuator	Stem (mm)	ISO5211 (PCD)	WT (Kg)	TORQUE
Inch	mm									N.m
1/2"	15A	9.2	50	156	94	DV21-15 / GQ-004	9	F03, 04	1.9	2
3/4"	20A	12.5	60	162	94	DV21-20 / GQ-004	9	F03, 04	1.9	4
1"	25A	15	73	165	94	DV21-25 / GQ-004	11	F03, 04	2.0	5.7
1-1/4"	32A	20	78	168	94	DV21-32 / GQ-004	11	F05	2.2	6.8
1-1/2"	40A	25	89	172	94	DV21-40 / GQ-004	14	F05	2.8	8.5
2"	50A	32	100	180	94	DV21-50 / GQ-004	14	F05	3.1	12.4

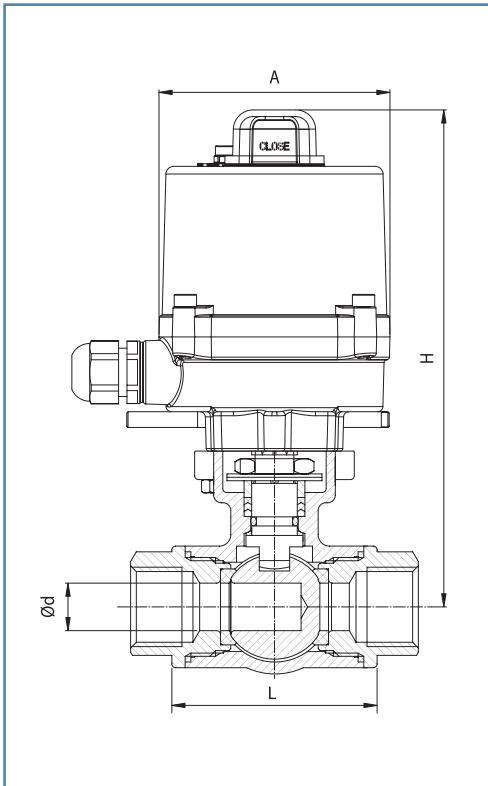
\* 1-PIECE BODY - Max. 1000PSI, Max. Temperature : 90°C, Material : A351-CF8, Seat : PTFE

SIZE		Ød	L	H	A	Body/Actuator	Stem (mm)	ISO5211 (PCD)	WT (Kg)	TORQUE
Inch	mm									N.m
1/2"	15A	9.2	50	156	94	DV21-15 / GQ-002	9	F03, 04	1.9	2
3/4"	20A	12.5	60	162	94	DV21-20 / GQ-002	9	F03, 04	1.9	4
1"	25A	15	73	165	94	DV21-25 / GQ-002	11	F03, 04	2.0	5.7
1-1/4"	32A	20	78	168	94	DV21-32 / GQ-002	11	F05	2.2	6.8
1-1/2"	40A	25	89	172	94	DV21-40 / GQ-002	14	F05	2.8	8.5

SIZE		Ød	L	H	A	Body/Actuator	Stem (mm)	ISO5211 (PCD)	WT (Kg)	TORQUE
Inch	mm									N.m
1/2"	15A	9.2	50	156	94	DV21-15 / GQ-001	9	F03, 04	1.9	2
3/4"	20A	12.5	60	162	94	DV21-20 / GQ-001	9	F03, 04	1.9	4
1"	25A	15	73	165	94	DV21-25 / GQ-001	11	F03, 04	2.0	5.7
1-1/4"	32A	20	78	168	94	DV21-32 / GQ-001	11	F05	2.2	6.8

\* Model : DV21 (2 : 2-Way Ball Valve, 1 : 1-Piece)

# ELECTRIC BALL VALVE (3-WAY)



Dimensions (1-Piece)

(Unit : mm)

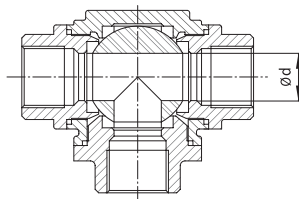
SIZE		Ød	L	H	A	Body/Actuator	Stem (mm)	ISO5211 (PCD)	WT (Kg)	TORQUE
Inch	mm									N.m
1/4"	8A	11	72	171	94	DV30-08 / GQ-004	9	F03, 04	1.9	9
3/8"	10A	11	72	171	94	DV30-10 / GQ-004	9	F03, 04	1.9	9
1/2"	15A	12	72	171	94	DV30-15 / GQ-004	9	F03, 04	2.1	9
3/4"	20A	15	83	174.3	94	DV30-20 / GQ-004	9	F03, 04	2.7	11
1"	25A	20	99	183.5	94	DV30-25 / GQ-004	11	F04, 05	3.4	13
1-1/4"	32A	25	112	189.2	94	DV30-32 / GQ-004	11	F04, 05	4.4	24

\* BODY - Max. Pressure : 70kg/cm<sup>2</sup> (1/4"~1 1/4"), 56kg/cm<sup>2</sup> (1 1/2"~2")  
Max. Temperature : 180°C, Material : A351-CF8M, Seat : PTFE /TFM

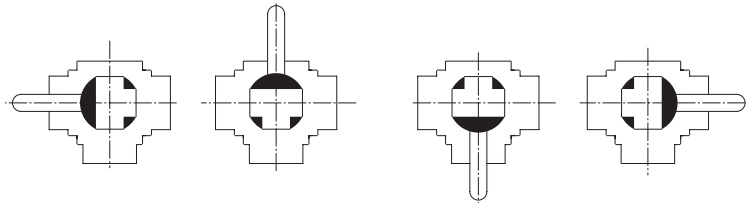
SIZE		Ød	L	H	A	Body/Actuator	Stem (mm)	ISO5211 (PCD)	WT (Kg)	TORQUE
Inch	mm									N.m
1/4"	8A	11	72	171	94	DV30-08 / GQ-002	9	F03, 04	1.9	9
3/8"	10A	11	72	171	94	DV30-10 / GQ-002	9	F03, 04	1.9	9
1/2"	15A	12	72	171	94	DV30-15 / GQ-002	9	F03, 04	2.1	9
3/4"	20A	15	83	174.3	94	DV30-20 / GQ-002	9	F03, 04	2.7	11
1"	25A	20	99	183.5	94	DV30-25 / GQ-002	11	F04, 05	3.4	13

SIZE		Ød	L	H	A	Body/Actuator	Stem (mm)	ISO5211 (PCD)	WT (Kg)	TORQUE
Inch	mm									N.m
1/4"	8A	11	72	171	94	DV30-08 / GQ-001	9	F03, 04	1.9	9
3/8"	10A	11	72	171	94	DV30-10 / GQ-001	9	F03, 04	1.9	9
1/2"	15A	12	72	171	94	DV30-15 / GQ-001	9	F03, 04	2.1	9

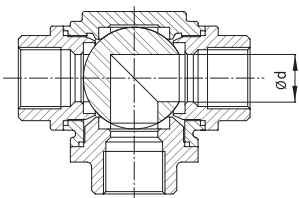
T - POSITION



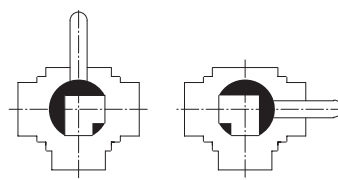
T - POSITION 90° TURN



L - POSITION



L - POSITION 90° TURN

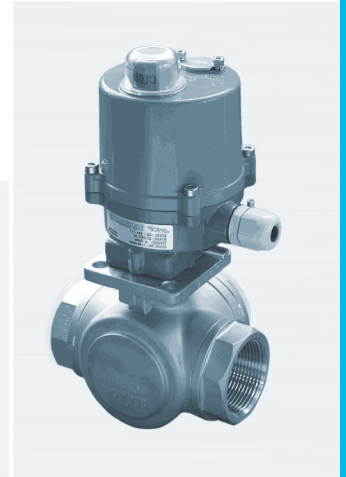
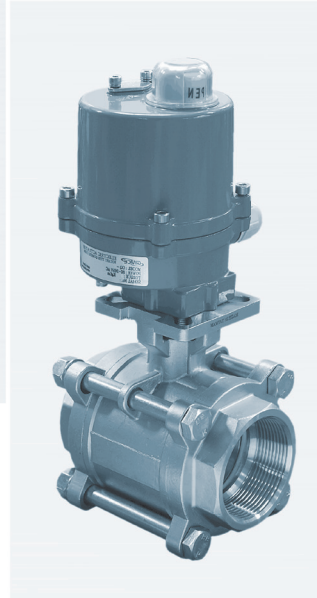
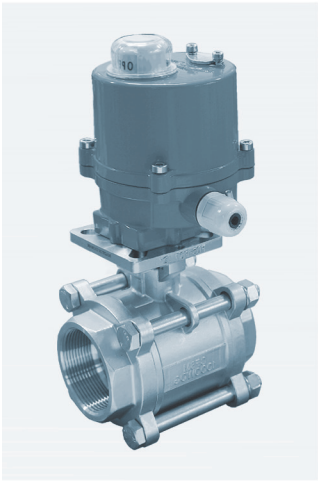


## TABLE OF AVAILABLE VALVE SIZE FOR GQ-ACTUATOR

Valve Actuator	Actuator Torque (N.m)	2-Way Ball Valve 10K, ANSI 150#	Operating Time	3-Way Ball Valve 10K, ANSI 150#	Operating Time
GQ - 001	15	8A (1/4") ~ 25A (1")	3	8A (1/4") ~ 15A (1/2")	3
GQ - 002	20	8A (1/4") ~ 32A (1 1/4")	4	8A (1/4") ~ 25A (1")	4
GQ - 004	40	8A (1/4") ~ 50A (2")	7	8A (1/4") ~ 32A (1 1/4")	7

참조) 밸브 제작사마다 토크가 차이가 있으므로 위의 선정표가 다를 수도 있습니다.

The above specification can be changed as difference torque per each valve manufacturer.



### 지니스 코리아

우 | 420-857 경기도 부천시 원미구 춘의동 202-4 지니스빌딩  
전화 : 032-666-9946 | 팩스 : 032-666-9949  
E-mail : ginicegood@ginice.co.kr  
www.ginice.co.kr

### GINICE KOREA

GINICE Bldg., #202-4, Chuneui-Dong, Wonmi-Gu, Bucheon-City, Gyeonggi-Do, Korea. (zip) 420-857  
TEL : +82-32-666-9946 | FAX : +82-32-666-9949  
E-mail : ginicegood@ginice.co.kr  
www.ginice.com

### GINICE FACTORY

3-39, Songma-li, Daegot-myeon, Kimpo-city, Gyeonggi-Do, Korea.