

## DIGITAL TEMP & HUMIDITY INDICATOR (GTHD-12)



### Description

" GTHD-12 " Digital Temperature & Humidity Indicator is intended for Multi Temperature and Humidity Indicator that indicate by Digital way to check sensing value by receiving the signal from Temperature Sensor and Humidity Sensor installed in working area.

- Multi-Point Display Unit
- Auto Selector / Manual Selector
- Multi-Signal Input Sensors
- Temperature & Humidity Display-Max. 12 Channels
- Channel changing time 1-9 sec. at Auto Mode

### Specification

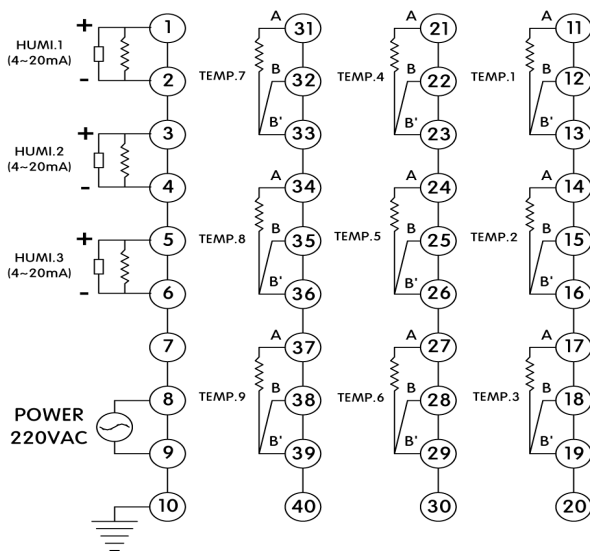
|                           |  |
|---------------------------|--|
| OPERATING RANGE           | TEMP. : -40.0 ~ 150.0°C , HUMIDITY : 0.0 ~ 100.0%RH  |
| INPUT SPEC.               | MEASURING TEMP. RTD : Pt1000Ω , ( Pt100Ω :ORDER MADE)<br>HUMIDITY : DC 4-20mA , (DC 0~10V) |
| POWER                     | 110/220VAC ±10%, 50/60HZ   |
| POWER CONSUMPTION         | 9VA APPROX. (Max.6W)   |
| ACCURACY                  | ±0.5% of FULL SCALE  |
| AMBIENT TEMP              | -5 ~ 50°C ( NO FREEZING CONDITION )  |
| AMBIENT HUMIDITY          | Below 95%RH  |
| TEMPERATURE DISPLAY POINT | 9 Points   |
| HUMIDITY DISPLAY POINT    | 3 Points   |

|                         |                          |
|-------------------------|--------------------------|
| DIMENSION               | 96(H) × 96(W) × 100(D)mm |
| PANEL CUTTING DIMENSION | 92(H) × 92(W)mm          |
| WEIGHT                  | 350g APPROX.             |
| HOUSING                 | PLASTIC (FRONT : IP65)   |

### ■ Usable Models

- \* GPT-1000, GOT-1000, GST-1000, GDT-1000
- \* GOH-420, GSH-420, GDH-420
- \* GOTH-420, GSTH-420, GDTH-420

### ■ Wiring Diagram



### ■ Dimension

