

DIGITAL TEMPERATURE INDICATOR

(GTD-11)



■ Description

" GTD-5 " Digital Temperature Indicator is intended for Multi Temperature Indicator to indicate by Digital way to check sensing value by receiving the signal from temperature Sensor

installed in working area.

- Multi-Point Display Unit
- Auto Selector / Manual Selector
- Multi-Signal Input Sensors
- Temperature Display-Max. 5 Channels
- Channel changing time 1 - 9 sec. at auto Mode

■ Specification

OPERATING RANGE	TEMPERATURE : -40.0 ~ 150.0°C
INPUT SPEC.	MEASURING TEMP RTD : Pt1000Ω (Pt100Ω: ORDER MADE)
POWER	110/220VAC ±10%, 50/60Hz
POWER CONSUMPTION	APPROX. 8VA,(Max.5W)
ACCURACY	±0.5% of FULL SCALE

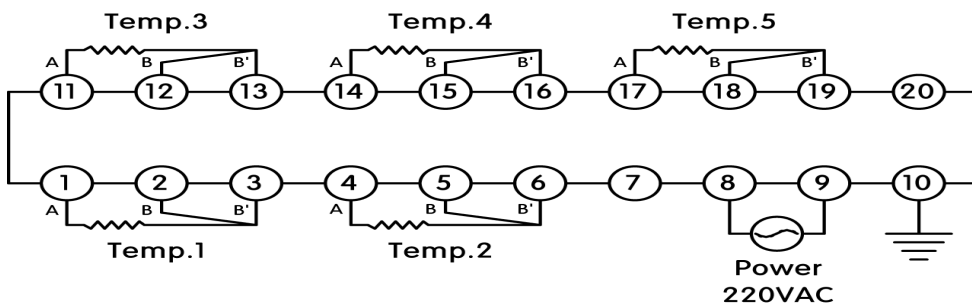
TEMP DISPLAY POINT	11 Points (1 - 11 Channel)
AMBIENT TEMP	- 5 ~ 50°C (NO FREEZING CONDITION)
PRESERVING TEMP	-20 ~ 60°C (NO FREEZING CONDITION)
AMBIENT HUMIDITY	BELOW 95%RH
DIMENSION	96(W) × 48(H) × 100(D)mm
PANEL CUTTING DIMENSION	92(W) × 92(H)mm
WEIGHT	300g
HOUSING	PLASTIC (FRONT : IP65)

■ Usable Models

* GPT-1000, GOT-1000, GST-1000, GDT-1000

- OTHERS RTD : available to use Pt100Ω (ORDER MADE)

■ Wiring Diagram



■ Dimension

Cutting size

