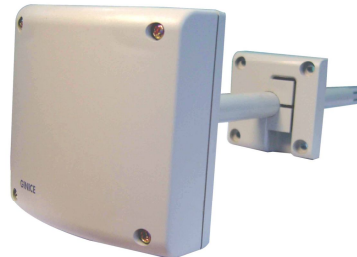


DUCT TEMPERATURE TRANSMITTER (GDTO-420)



Application

"GDTO" Duct Temperature Transmitter is intended for Heating, Ventilating, and Air-handling units as follows;

- Supplying or Ventilating air sensing
- Limit Sensor (limiting lowest supplying air temperature)
- Shift Sensor (Revision of inside temperature complying with outside temperature)
- Measuring Sensor (Display sensing point or DDC auto control system)

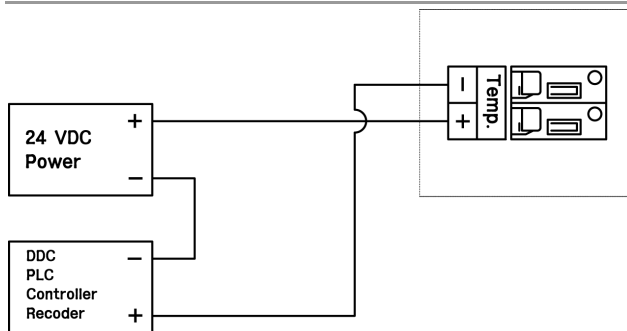
Technical Data

- Supply Voltage : DC 15~30V
- Output Signal : Current 4 ~ 20mA
- Range : ① 0 ~ + 70℃, ② -10 ~ +60℃
③ -30 ~+80℃(SUS 304 Probe)
- Accuracy : ± 0.3℃
- Wiring : 2 Wire
- Sensing Time : Approx. 30sec. at 2m/sec Velocity
- Ambient Temperature : -30 ~ +80℃
- Ambient Humidity : below 95%Rh
- Cable Fitting : PF 1/2"
- Protection Class : IP 54 (EN60529)
- Weight : 0.19 Kg (w/bracket)

Mounting Guide

- In case of controlling supplying air temperature;
 - In case of installing Fan at behind of the last Air control unit, install behind Fan
 - For other cases, install at least 1.5 meter distance behind from the last air control Unit
- In case of controlling Ventilating air temperature ;
 - Install always at behind of Fan

Wiring Diagram



Dimension

