

ROOM TEMPERATURE TRANSMITTER

(GRT0-105)



Application

"GRT0" Room Temperature Transmitter is intended for heating, ventilating, air handling units and specially at the place needed to be pleasantness and used for controlling and sensing room temperature by connecting with central sensing system.

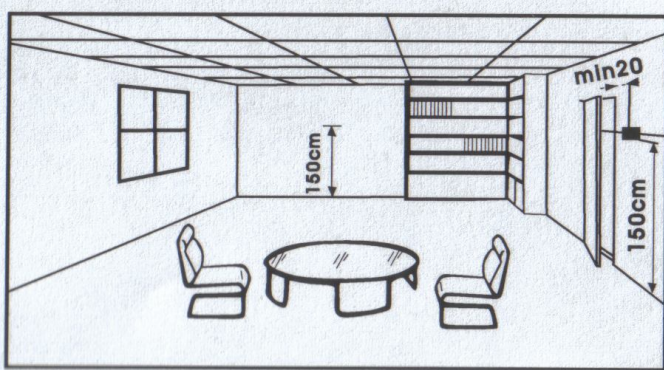
Technical Data

- Supply Voltage : DC 15~30V
 - Output Signal : Voltage 1 ~ 5V DC
 - Sensing Range : ① 0 ~ +50°C ② -10 ~ +70°C
 - Accuracy : ± 0.3°C
(flexible depend on temperature of Air convection and wall)
 - Wire : 2 Wire
 - Sensing Time : Within. 3min
 - Ambient Temperature. :
 - 1) On Operation: -10 ~ +70°C
 - 2) On Transportation & Storage: -10 ~ +50°C
 - Ambient Humidity :
 - 1) On Operation: below 95%Rh
 - 2) On transportation & Storage: below 85% Rh
 - Protection Class : IP30 (EN60529)
 - Weight : 0.08 Kg
-

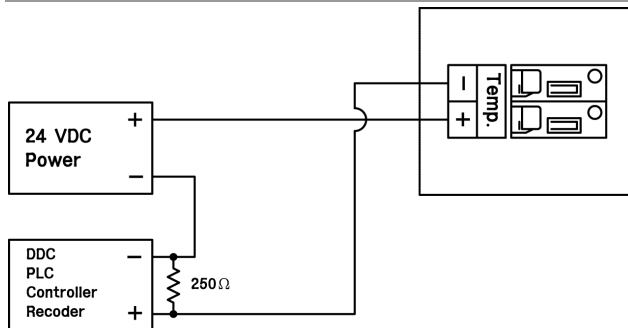
Notes

- Location of Installation :
Install inside of wall in the space of good heating and air ventilation.
- Prohibition of Installation :
Inside corner, shelves, behind curtain, reverse side of heat source around Keep away from direct light and the end of wire tube of Sensor should be shielded. to protect any sensing error caused from the ventilating air coming through wire tube
- Calibration :
As adjusted on delivery from the factory, do not change voluntarily.

Sensors have to install more than 1.5m from the bottom.



Wiring Diagram



Dimension

