

OUTSIDE AIR TEMPERATURE TRANSMITTER

(GOTO-105)



Description

"GOTO" Outside Air temperature Transmitter is intended for detecting outside temperature and it also can detect solar heat radiation and outside temperature

Application

- Use as compensating Transmitter : In case of outside Air compensating temperature control system
- Use as measuring Transmitter : In case of Optimistic function system

Technical Data

- Supply Voltage : DC 15~30V
- Output Signal : Voltage 1 ~ 5V DC
- Sensing Range : ① -20 ~ +50 °C
② -35 ~ +80 °C
- Accuracy : ± 0.3°C
- Wiring : 2 Wire
- Sensing Time : Within 3 min.
- Ambient Temperature :
 - 1) On operation: -35 ~ +80 °C
 - 2) On transportation: -15 ~ +60° C
 - 3) On Storage: -25 ~ +70° C
- Ambient Humidity : 5 ~ 95% Rh
- Protection Class : IP30 (EN60529)
- Weight : 0.08 Kg

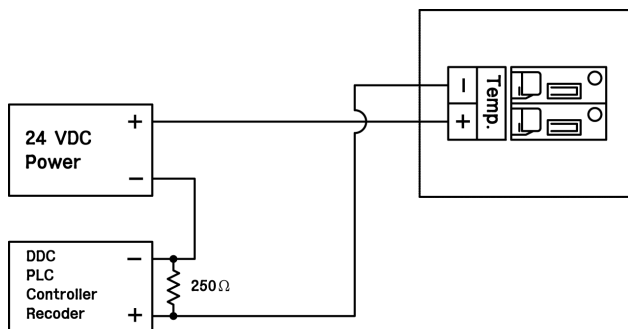
Notes

- Engineering ;
 - 1) In case of control:
 - Preferably install on the wall of house or building and keep away from direct light
 - Still in doubt, install North or North-west direction
 - 2) In case of Optimistic;
 - Install always at the place of most coldest wall (normally northern side of wall) and keep away from direct light

Mounting & Installation

- Installation of height : Preferably install in the middle of house, building or heating area and to be installed at least 1.5 meter above from the floor
- Prohibited Place :
 - Window, Door, Ventilation hole, upper place of heat source
 - Veranda or beneath the eaves of roof
- To prevent any detecting errors from convection of warm air, cable wire tube of transmitter should be shielded and must not be painted

Wiring Diagram



Dimension

